

C147-G008-01EN

**DL9300/9400
DOT MATRIX PRINTER
PARTS CATALOGUE**

FUJITSU LIMITED
Communications and Electronics
Tokyo, Japan

This document is used for maintenance purpose only.
The illustration of the part does not guarantee its availability.

DL9300/9400
DOT MATRIX PRINTER
PARTS CATALOGUE

FUJITSU LIMITED
Communications and Electronics
Tokyo, Japan

REVISION RECORD		
Edition	Date published	Revised contents
01	October 1996	First issue
Specification No. C147-G008-01EN		

The contents of this manual may be revised without prior notice.

All Rights Reserved, Copyright © 1996 FUJITSU LIMITED. Printed in Japan.
 No part of this manual may be reproduced in any form without permission.

Address your comments and inquiries on this manual to:

FUJITSU COMPUTER PRODUCTS OF
AMERICA, INC.
2904 Orchard Parkway, San Jose
CA 95134-2022, U.S.A.
TEL: (1-408) 432-6333
FAX: (1-408) 894-1709

FUJITSU CANADA INC.
2800 Matheson Boulevard East
Mississauga, Ontario L4W 4X5, CANADA
TEL: (1-905) 602-5454
FAX: (1-905) 602-5457

FUJITSU AUSTRALIA LIMITED
475 Victoria Avenue, Chatswood
N.S.W., 2067, AUSTRALIA
TEL: (61-2) 410-4555
FAX: (61-2) 411-8603

FUJITSU DEUTSCHLAND GmbH.
Frankfurter Ring 211
80807, München, F.R. GERMANY
TEL: (49-89) 32378-0
FAX: (49-89) 32378-100

FUJITSU ESPAÑA, S.A.
Almagro 40, 28009 Madrid, SPAIN
TEL: (34-1) 581-8400
FAX: (34-1) 581-8125

FUJITSU EUROPE LTD.
2 Longwalk Road, Stockly Park, Uxbridge
Middlesex UB11 1AB, ENGLAND
TEL: (44-81) 573-4444
FAX: (44-81) 573-2643

FUJITSU FRANCE S.A.
Batiment Aristote, Rue Olof Palme 94006
Créteil cedex, FRANCE
TEL: (33-1) 45-13-16-16
FAX: (33-1) 43-99-07-00

FUJITSU HONG KONG LIMITED
Room 2521, Sun Hung Kai Centre
30 Harbour Road, HONG KONG
TEL: (852) 827-5780
FAX: (852) 827-4724

FUJITSU ICIM LTD.
Nagar Road, Pune 411 014, INDIA
TEL: (91-212) 681-528
FAX: (91-212) 680-238

FUJITSU ITALIA S.p.A.
Via Melchiorre Gioia No. 8
20124 Milano, ITALY
TEL: (39-2) 6365-1
FAX: (39-2) 6572-257

FUJITSU KOREA LTD.
9th Floor, Korean Reinsurance Bldg.
80, Susong-Dong, Chongro-Gu
Seoul Special City, Republic of KOREA
TEL: (82-2) 739-3281
FAX: (82-2) 739-3294

FUJITSU NORDIC AB
Kung Hans Väg 12
S-191 76 Sollentuna, SWEDEN
TEL: (46-8) 626-6000
FAX: (46-8) 626-6711

FUJITSU (SINGAPORE) PTE. LTD.
75 Science Park Drive
#02-06 CINTECH II, SINGAPORE 0511
TEL: (65) 777-6577
FAX: (65) 777-8794

FUJITSU SYSTEMS BUSINESS
(MALAYSIA) SDN. BHD.
Fujitsu Plaza, 1A, Jalan Tandang 204
P.O. Box 636 Pejabat Pos Jalan Sultan
46770 Petaling Jaya
Selangor Darul Ehsan, MALAYSIA
TEL: (60-3) 793-3888
FAX: (60-3) 793-0888

FUJITSU SYSTEMS BUSINESS
(THAILAND) LTD.
12th Floor, Olympia Thai Tower
444 Rachadapisek Road, Samsennok
Huaykwang, Bangkok 10310, THAILAND
TEL: (662) 512-6066
FAX: (662) 512-6068

FUJITSU TAIWAN LTD.
8th FL., NO. 170, Hung Tai Center
Tun Hwa N. RD., Taipei, TAIWAN, R.O.C.
TEL: (886-2) 545-7700
FAX: (886-2) 717-4644

FUJITSU LIMITED
Computer Products Business Group
1015, Kamikodanaka, Nakahara-ku
Kawasaki-shi 211, JAPAN
TEL: (81-44) 754-8633
FAX: (81-44) 754-8510

PREFACE

This is parts catalogue for the DL9300/9400 dot matrix printer.

This manual is for service engineers.

There are several models of DL9300/DL9400 dot matrix printers.

This manual covers all models.

This manual consists of two parts: Parts List and Parts Drawings.

Parts list has layer structure. You can find assembly levels.

Parts drawing does not have the layer structure.

You can see the model difference from the parts list easily.

There are other manuals for service engineers as follows.

Especially the maintenance manual has close relationship to this manual.

DL9300/9400 Dot Matrix Printer Maintenance Manual

DL9300/9400 Dot Matrix Printer Schematic Diagrams

DL9300/9400 Dot Matrix Printer User's Manual

DL9300/9400 Dot Matrix Printer Product Description

This document contains technology relating to strategic products controlled by export control laws of the producing and/or exporting countries. This document or a portion thereof should not be exported (or reexported) without authorization from the appropriate governmental authorities in accordance with such laws.

FUJITSU LIMITED

CONTENTS

1. HOW TO REFER TO THIS MANUAL	1-1
2. SPECIFICATIONS	2-1
3. PARTS LIST	3-1
3.1 DL9300/9400 Printer	3-1
3.2 DL9300/9400 Printer Unit	3-5
3.3 DL9300/9400 Printer Mechanism Assembly	3-9
3.3.1 DL9300/9400 Printer Mechanism Assembly (Frame Sub Assembly)	3-15
3.3.2 DL9300/9400 Printer Mechanism Assembly (Carrier Unit)	3-17
3.3.3 DL9300/9400 Printer Mechanism Assembly (Tractor Unit)	3-19
3.4 DL9300/9400 Power Supply Unit	3-21
3.5 DL9300/9400 Control Board	3-23

1. HOW TO REFER TO THIS MANUAL

Example:

No. ①	Composition & Quantity ②				Specification	Parts name (Description)	⑤		Remarks			
							DL9300	DL9400				
1- 44	1	}	④		CA02892-C201	Printer unit	○					
	1				CA02892-C211	Printer unit	○					
	1				CA02892-C218	Printer unit	○					
	1				CA02892-C219	Printer unit	○					
	1				CA02790-C201	Printer unit		○				
	1				CA02790-C211	Printer unit		○				
	1				CA02790-C218	Printer unit		○				
	1				CA02790-C219	Printer unit		○				
	1- 2				1			CA02892-D101		Printer mecha	○	
					1			CA02790-D101		Printer mecha		○
1		1		CA02281-F622	Print head	○	○					
2		1		CA02892-E110	Printer mecha assembly	◎						
		1		CA02790-E110	Printer mecha assembly		◎					
3	2			CA02790-Y136	Screw	○	○					
4	1			CT-STB-4X6-M- NI-NITTO	Tapping screw	○	○					
5	1			F6-WB4-121	Washer	○	○					
6-27	1			CA02892-F140	Lower unit	○						
	1			CA02790-F142	Lower unit		○					
③ 6-10			1		CA02892-G140	Lower cover assembly	○					
			1		CA02790-G140	Lower cover assembly		○				
	6			1	CA02892-Y140	Lower cover	○					
				1	CA02790-Y140	Lower cover		○				
	7			4	CA02790-Y147	Rubber damper R	○	○				
	8			1	CA02892-Y173	Soundproof B	○					
				1	CA02790-Y173	Soundproof B		○				
	9			2	CA02790-Y148	Rubber foot	○	○				
	10			1	CA02892-Y144	EMI shield	○					
				1	CA02790-Y144	EMI shield		○				
11-18			1	CA02892-G141	AC unit	○						

- ① This figure shows the index number of the part in the drawing.
- ② These columns show the construction levels. A higher-level part consists of the following lower-level parts listed until the quantity of the next part appears at the same level.
- ③ m-n shows an assembly or unit consisting of more than one part. The lower cover assembly consists of a lower cover, four rubber dampers, a sound proof, two rubber feet, and a EMI shield.
- ④ The assemblies or units of the same item number(s) use the same drawing, but have variations in component parts.
- ⑤ Used for DL9300 only.
- ⑥ Used for DL9400 only.

2. SPECIFICATIONS

The table below lists standard models of the DL9300 printer.

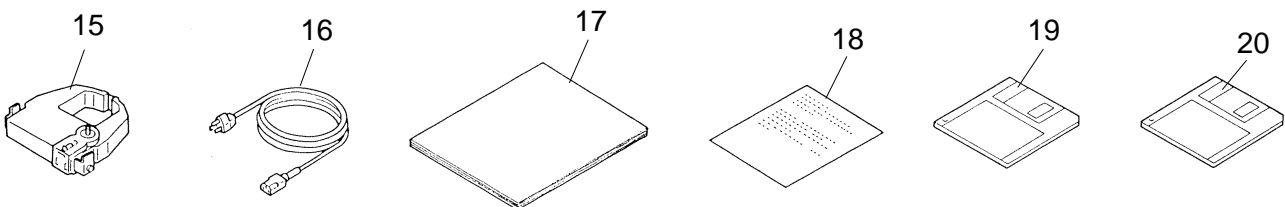
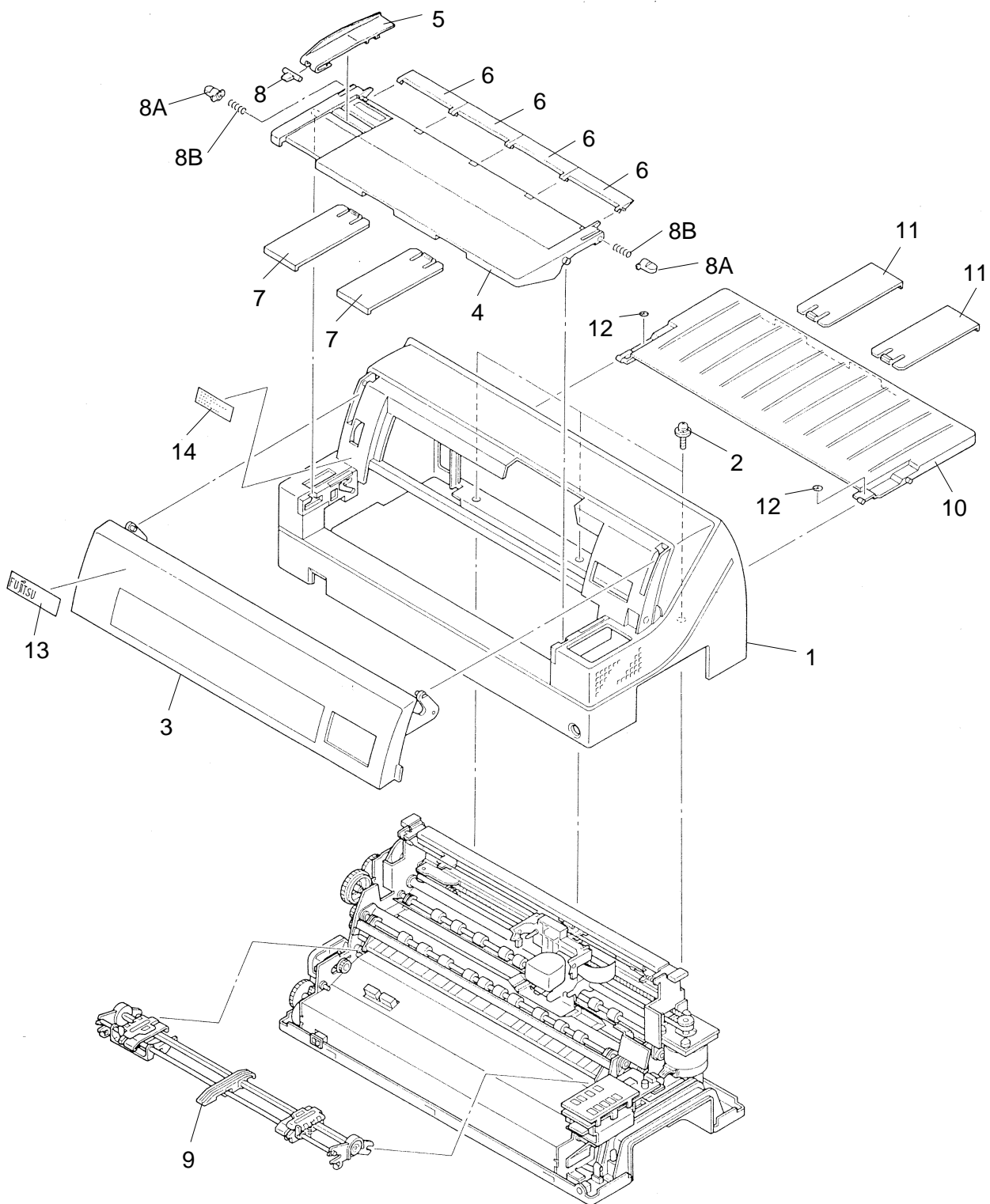
Spec.	Voltage	Interface	Area	Remarks
CA02892-B201	100V	Centro+RS		100V standard
CA02892-B202	100V	Centro+RS	FCPA	
CA02892-B203	100V	Centro+RS	FCI	
CA02892-B210	200V	Centro+RS	EUROPE	Country kit version
CA02892-B211	200V	Centro+RS		200V standard
CA02892-B218	100V	Centro+RS	ASIA	Without UL/CSA approval
CA02892-B219	200V	Centro+RS	ASIA	Without TÜV approval
CA02892-B251	200V	Centro+RS	FAL	

The table below lists standard models of the DL9400 printer.

Spec.	Voltage	Interface	Area	Remarks
CA02790-B201	100V	Centro+RS		100V standard
CA02790-B202	200V	Centro+RS	FCPA	
CA02790-B203	100V	Centro+RS	FCI	
CA02790-B210	200V	Centro+RS	EUROPE	Country kit version
CA02790-B211	200V	Centro+RS		200V standard
CA02790-B218	100V	Centro+RS	ASIA	Without UL/CSA approval
CA02790-B219	200V	Centro+RS	ASIA	Without TÜV approval
CA02790-B251	200V	Centro+RS	FAL	

3. PARTS LIST

3.1 DL9300/9400 Printer

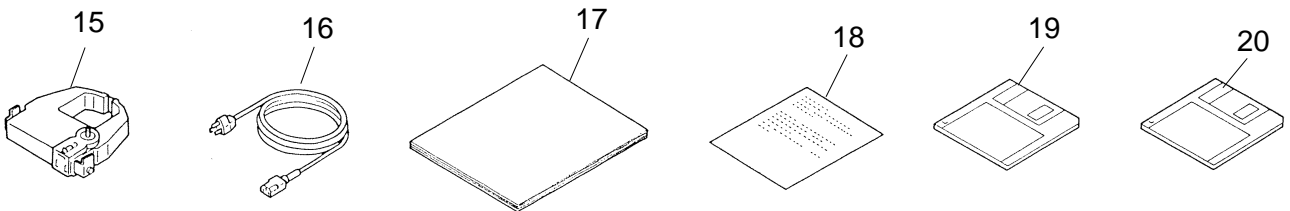
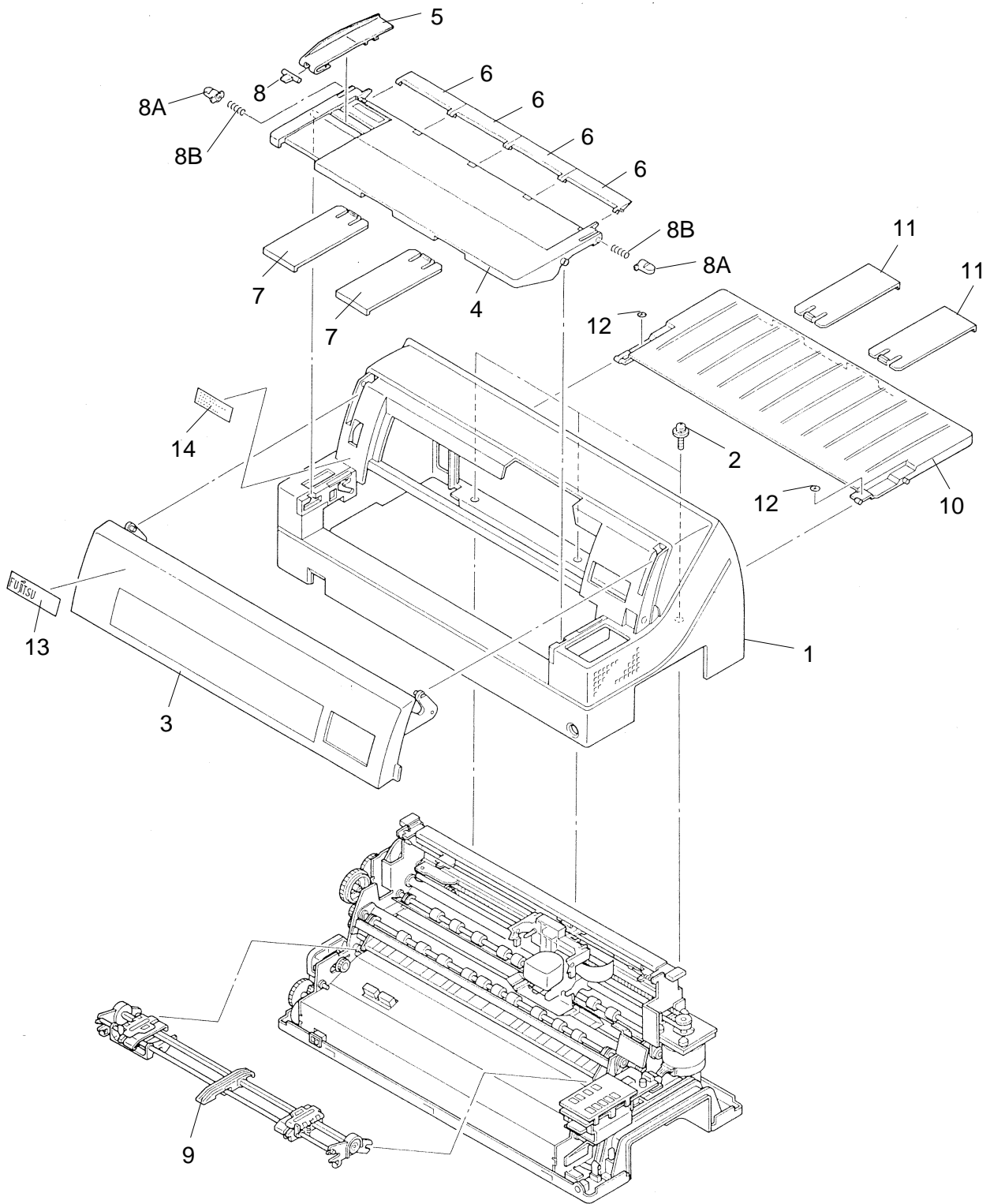


3.1 DL9300/9400 Printer

No.	Composition & Quantity				Specification	Parts name (Description)	DL9300	DL9400	Remarks
1-20	1				CA02892-B201	DL9300 (CENTRO+RS232C)	○		80chr
	1				CA02892-B202	DL9300 (CENTRO+RS232C)	○		80chr
	1				CA02892-B203	DL9300 (CENTRO+RS232C)	○		80chr
	1				CA02892-B210	DL9300 (CENTRO+RS232C)	○		80chr
	1				CA02892-B211	DL9300 (CENTRO+RS232C)	○		80chr
	1				CA02892-B218	DL9300 (CENTRO+RS232C)	○		80chr
	1				CA02892-B219	DL9300 (CENTRO+RS232C)	○		80chr
	1				CA02892-B251	DL9300 (CENTRO+RS232C)	○		80chr
	1				CA02790-B201	DL9300 (CENTRO+RS232C)		○	136chr
	1				CA02790-B202	DL9400 (CENTRO+RS232C)		○	136chr
	1				CA02790-B203	DL9400 (CENTRO+RS232C)		○	136chr
	1				CA02790-B210	DL9400 (CENTRO+RS232C)		○	136chr
	1				CA02790-B211	DL9400 (CENTRO+RS232C)		○	136chr
	1				CA02790-B218	DL9400 (CENTRO+RS232C)		○	136chr
1-14	1				CA02790-B219	DL9400 (CENTRO+RS232C)		○	136chr
		1			CA02892-C201	Printer unit	○		80chr
		1			CA02892-C211	Printer unit	○		80chr
		1			CA02892-C218	Printer unit	○		80chr
		1			CA02892-C219	Printer unit	○		80chr
		1			CA02790-C201	Printer unit		○	136chr
		1			CA02790-C211	Printer unit		○	136chr
		1			CA02790-C218	Printer unit		○	136chr
		1			CA02790-C219	Printer unit		○	136chr
	1	1			CA02892-G150	Upper cover assembly	○		
		1			CA02790-G150	Upper cover assembly		○	
	2	3			CA98001-6306	Tapping screw	○	○	
	3	1			CA02892-G170	Front cover assembly	○		
		1			CA02790-G170	Front cover assembly		○	
4- 8	1			CA02892-G160	Paper table assembly	○			
	1			CA02790-G160	Paper table assembly		○		
4		1		CA02892-Y160	Paper table	○			
		1		CA02790-Y160	Paper table		○		
5		1		CA02790-Y162	Movable guide	○	○		
6		4		CA02790-Y163	Flap	○	○		
7		2		CA02790-Y164	Extention	○	○		
8		1		CA02790-Y161	Lock lever	○	○		
8A		2		CA02790-Y168	Spring	○	○		
8B		2		CA02790-Y169	Pibot	○	○		
9	1			CA02892-F600	Tractor unit	◎			
	1			CA02790-F600	Tractor unit		◎		
10-12	1			CA02892-G180	Rear stacker assembly	○			
	1			CA02790-G180	Rear stacker assembly		○		
10		1		CA02892-Y180	Rear stacker	○			
		1		CA02790-Y180	Rear stacker		○		
11		2		CA02790-Y164	Extention	○	○		
12		2		CA02790-Y186	Label C	○	○		
13	1			CA02892-Y810	Logo label	○			
	1			CA02790-Y810	Logo label		○		
14	1			CA02790-Z395	GI label US	○	○		

◎ : Recommended Spare Parts

3.1 DL9300/9400 Printer

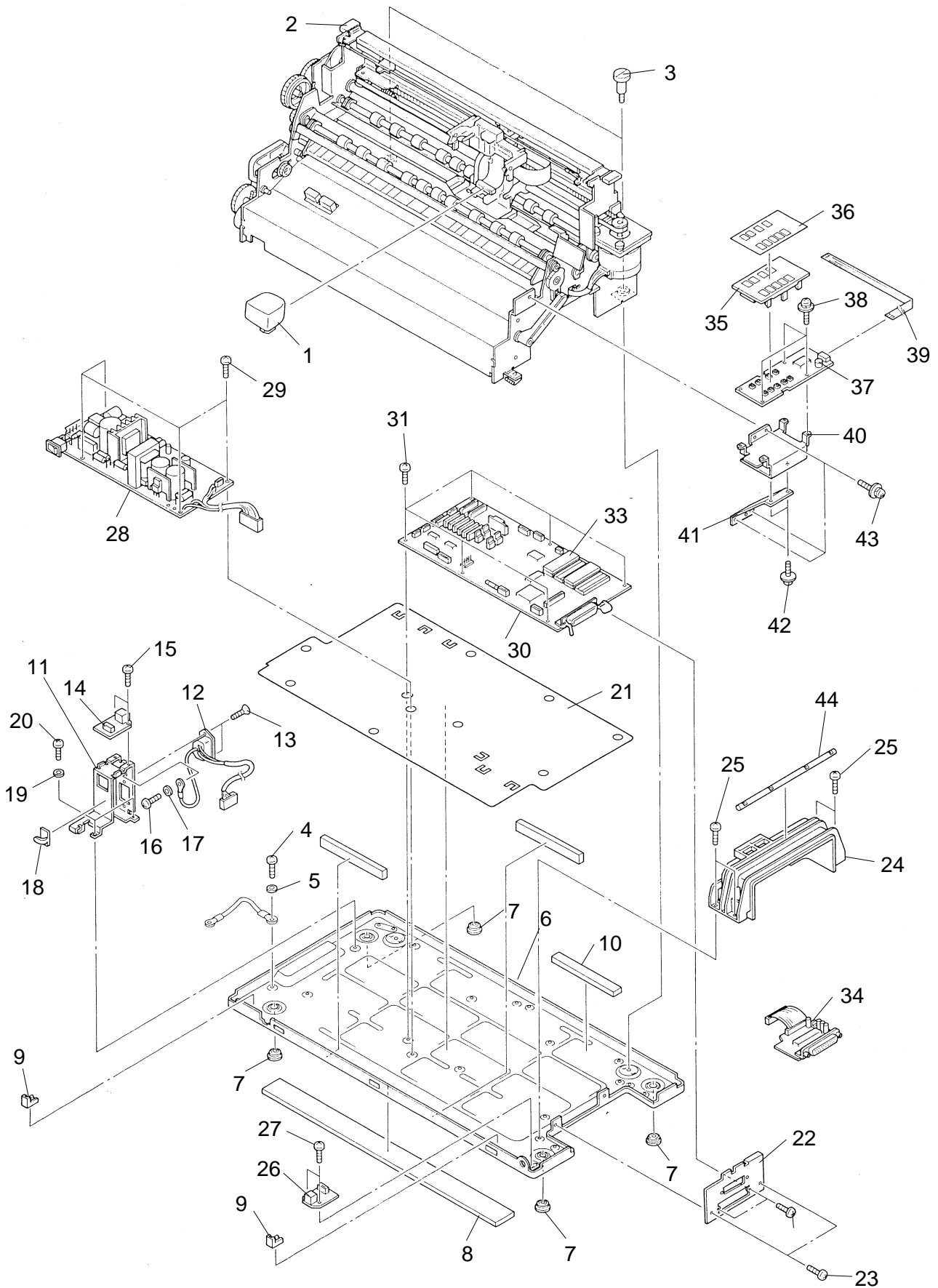


3.1 DL9300/9400 Printer

No.	Composition & Quantity				Specification	Parts name (Description)	DL9300	DL9400	Remarks	
15-20	1				CA02790-H101	Accessory	<input type="radio"/>	<input type="radio"/>		
	1				CA02790-H102	Accessory	<input type="radio"/>	<input type="radio"/>		
	1				CA02790-H103	Accessory	<input type="radio"/>	<input type="radio"/>		
	1				CA02790-H110	Accessory	<input type="radio"/>	<input type="radio"/>		
	1				CA02790-H111	Accessory	<input type="radio"/>	<input type="radio"/>		
	1				CA02790-H119	Accessory	<input type="radio"/>	<input type="radio"/>		
	1				CA02790-H151	Accessory	<input type="radio"/>	<input type="radio"/>		
15	1				CA02374-D101	Ribbon cassette	<input type="radio"/>	<input type="radio"/>		
16	1				CA98001-3001	AC power cord	<input type="radio"/>	<input type="radio"/>		
	1				CA98001-3487	AC power cord	<input type="radio"/>	<input type="radio"/>		
	1				CA98001-3491	AC power cord	<input type="radio"/>	<input type="radio"/>		
	1				CA98001-3596	AC power cord	<input type="radio"/>	<input type="radio"/>		
	1				CA98001-3597	AC power cord	<input type="radio"/>	<input type="radio"/>		
	1				CA98001-4319	AC power cord	<input type="radio"/>	<input type="radio"/>		
	1				CA98001-4320	AC power cord	<input type="radio"/>	<input type="radio"/>		
	1				CA98001-4329	AC power cord	<input type="radio"/>	<input type="radio"/>		
	1				CA98001-4430	AC power cord	<input type="radio"/>	<input type="radio"/>		
	17	1				C147-E031	User's manual	<input type="radio"/>	<input type="radio"/>	
	18	1				CA02790-Z835	Leaflet	<input type="radio"/>	<input type="radio"/>	
19	1				CA02790-0012	Printer driver	<input type="radio"/>	<input type="radio"/>		
20	1				CA02790-0013	DL menu	<input type="radio"/>	<input type="radio"/>		

© : Recommended Spare Parts

3.2 DL9300/9400 Printer Unit

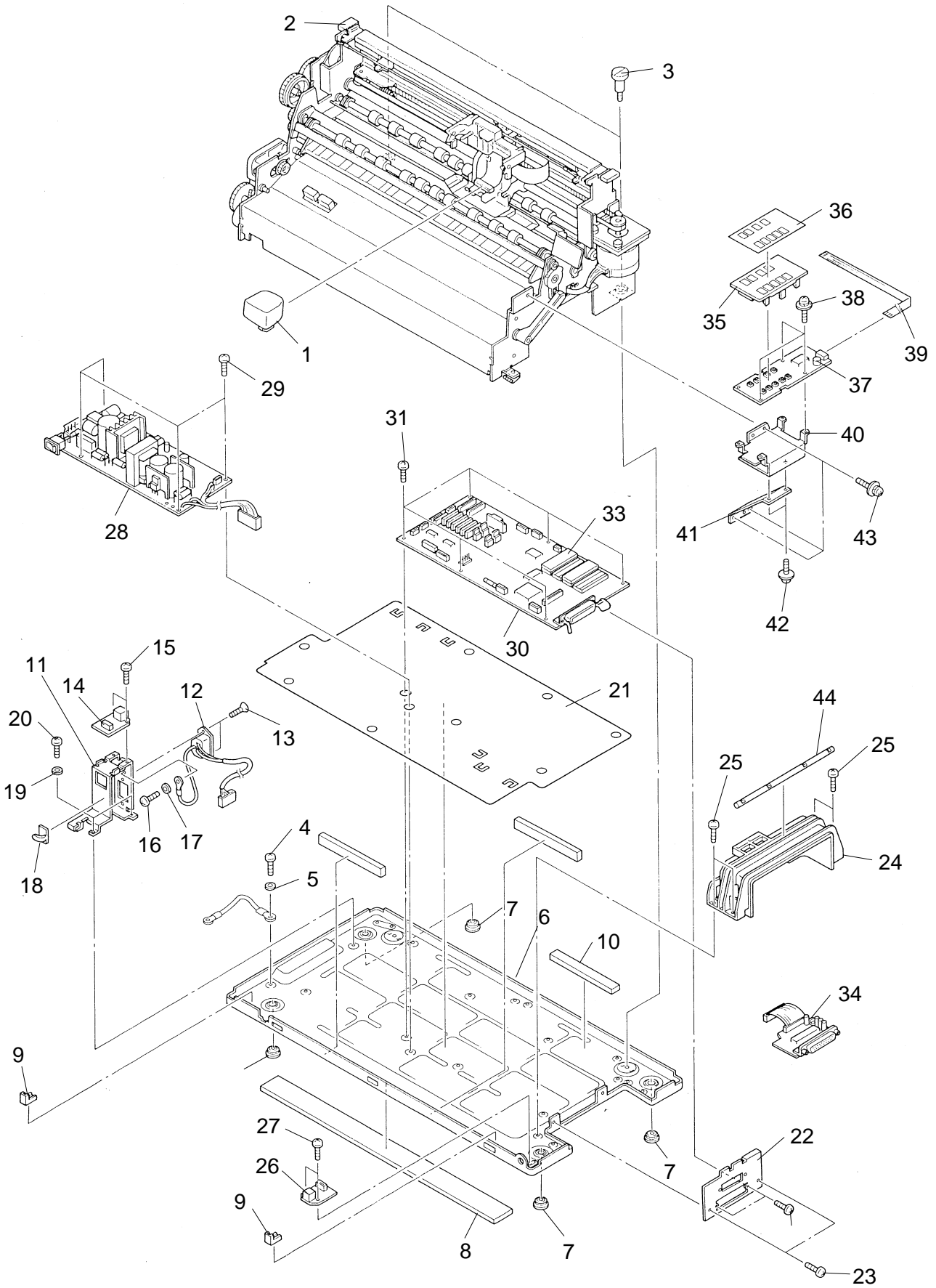


3.2 DL9300/9400 Printer Unit

No.	Composition & Quantity				Specification	Parts name (Description)	DL9300	DL9400	Remarks
1- 44	1				CA02892-C201	Printer unit	○		
	1				CA02892-C211	Printer unit	○		
	1				CA02892-C218	Printer unit	○		
	1				CA02892-C219	Printer unit	○		
	1				CA02790-C201	Printer unit		○	
	1				CA02790-C211	Printer unit		○○○	
	1				CA02790-C218	Printer unit		○○○	
	1				CA02790-C219	Printer unit		○	
	1- 2	1				CA02892-D101	Printer mecha	○	
1					CA02790-D101	Printer mecha		○	
1	2	1	1		CA02281-F622	Print head	○	○	
					CA02892-E110	Printer mecha assembly	◎	○	
3	2	1	1		CA02790-E110	Printer mecha assembly	◎	◎	
					CA02790-Y136	Screw	○	○	
4	1				CT-STB-4X6-M-	Tapping screw	○	○	
					NI-NITTO				
5	1				F6-WB4-121	Washer	○	○	
					CA02892-F140	Lower unit	○		
6-27	1				CA02790-F142	Lower unit		○	
					CA02892-G140	Lower cover assembly	○		
6-10	1	1			CA02790-G140	Lower cover assembly		○	
					CA02892-Y140	Lower cover	○		
6	1	1			CA02790-Y140	Lower cover		○	
					CA02790-Y147	Rubber damper R	○	○	
7	4	1			CA02892-Y173	Soundproof B	○	○	
					CA02790-Y173	Soundproof B	○	○	
8	1	2			CA02790-Y148	Rubber foot	○	○	
					CA02892-Y144	EMI shield	○		
9	1	1			CA02790-Y144	EMI shield		○	
					CA02892-G141	AC unit	○		
10	1	1			CA02790-G142	AC unit		○	
					CA02790-Y141	AC bracket	○	○	
11-18	1	1			CA02790-G010	TRM assembly	○	○	
					F6-SSA3-06111	Screw	○	○	
11	2	1			CA02892-G193	Rear CSF C PCA	○	○	
					CA02790-G193	Rear CSF C PCA		○	
12	1	2			CA98001-6305	Tapping screw	○	○	
					CT-STB-4X6-M-	Tapping screw	○	○	
13	1	1			NI-NITTO			○	
					F6-WB4-121	Washer	○	○	
14	1	1			CA98001-0436	Code keep	○	○	
					F6-WB3-111	Washer	○	○	
15	2	1			CA98001-6305	Tapping screw	○	○	
					CA02892-Y145	Insulation sheet	○	○	
16	1	1			CA02790-Y145	Insulation sheet	○	○	
					CA02790-Y143	I/F plate	○	○	
17	2	1			CA98001-6305	Tapping screw	○	○	
					CA02790-Y142	I/F cover	○	○	
18	1	4			CA98001-5913	Tapping screw	○	○	
					CA02790-G191	Front CSF C PCA	○	○	
19	1	2			CA98001-6305	Tapping screw	○	○	
					CA98001-6305	Tapping screw	○	○	
20	1	2			CA98001-6305	Tapping screw	○	○	
					CA98001-6305	Tapping screw	○	○	
21	4	1			CA98001-6305	Tapping screw	○	○	
					CA98001-6305	Tapping screw	○	○	
22	1	2			CA98001-6305	Tapping screw	○	○	
					CA98001-6305	Tapping screw	○	○	
23	1	2			CA98001-6305	Tapping screw	○	○	
					CA98001-6305	Tapping screw	○	○	
24	4	1			CA98001-6305	Tapping screw	○	○	
					CA98001-6305	Tapping screw	○	○	
25	1	2			CA98001-6305	Tapping screw	○	○	
					CA98001-6305	Tapping screw	○	○	
26	1	2			CA98001-6305	Tapping screw	○	○	
					CA98001-6305	Tapping screw	○	○	
27	2				CA98001-6305	Tapping screw	○	○	
					CA98001-6305	Tapping screw	○	○	

◎ : Recommended Spare Parts

3.2 DL9300/9400 Printer Unit

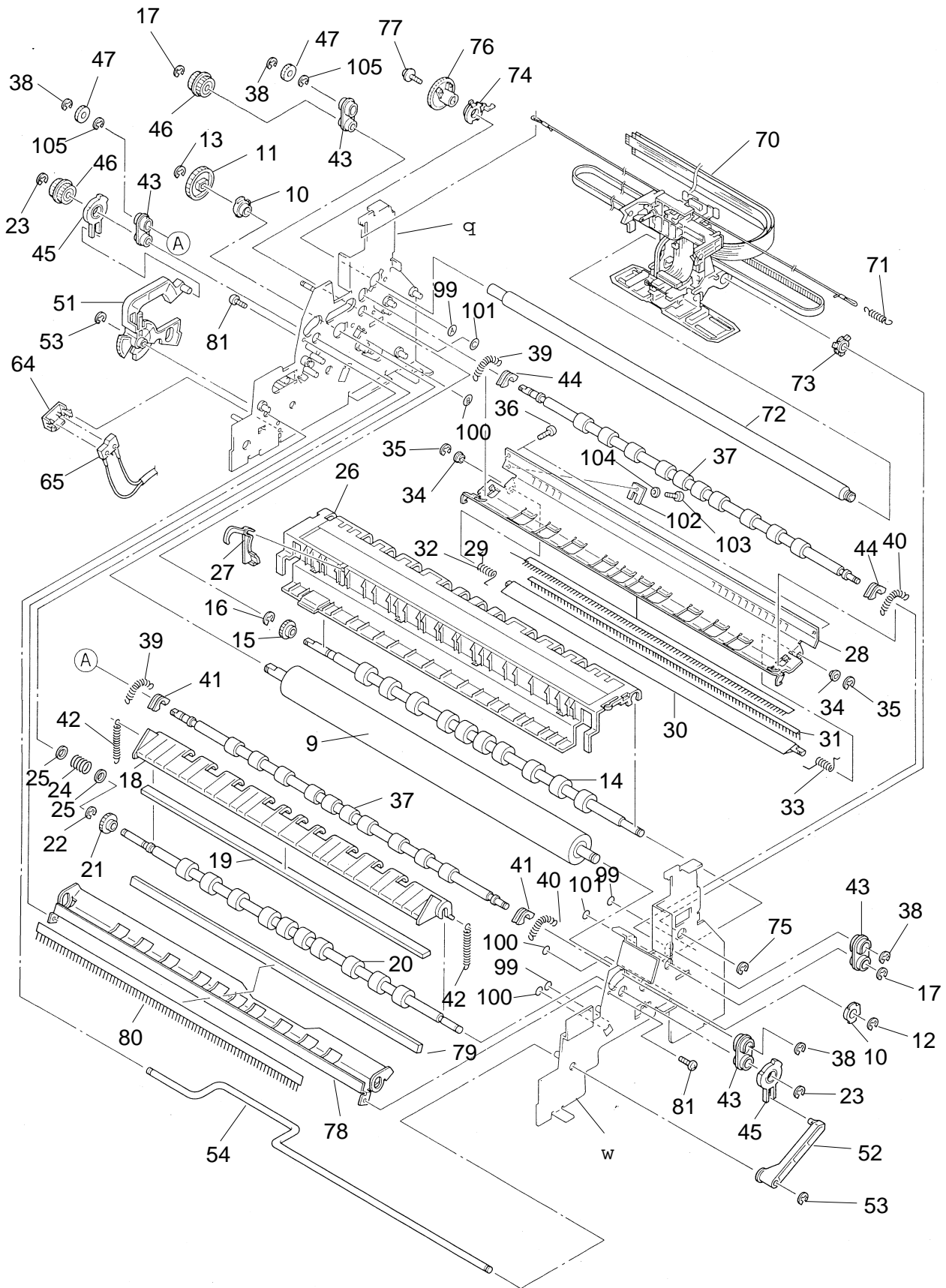


3.2 DL9300/9400 Printer Unit

No.	Composition & Quantity				Specification	Parts name (Description)	DL9300	DL9400	Remarks
28	1				CA20167-B00X	Power supply unit(100V)	◎	◎	
	1				CA20167-B40X	Power supply unit(100V)	◎	◎	Asia
	1				CA20167-B50X	Power supply unit(200V)	◎	◎	
	1				CA20167-B90X	Power supply unit(200V)	◎	◎	Asia
29	4				CA98001-6458	Tapping screw	○	○	
30	1				CA20234-B29X	Main board	○	○	
31	6				CA98001-6458	Tapping screw	○	○	
32	2				F6-SNA3-06121	Screw	○	○	
33	1				CA02790-J101	ROM board	◎	◎	
34	1				CA20160-B80X	RS-232C board	◎	◎	
35-42	1				CA02790-F196	OP unit	○	○	
35-36		1			CA02790-G196	OP case assembly	○	○	
35			1		CA02790-Y195	OP Case	○	○	
36			1		CA02790-Y199	OP sheet	○	○	
37		1			CA20234-B49X	OP board	◎	◎	
38		3			F6-SW2N3-06111	Machine screw	○	○	
39		1			CA02790-Y197	OP cable	○	○	
40		1			CA02790-Y198	OP blacket	○	○	
41		1			CA02790-Z198	OP blacket B	○	○	
42			2		F6-SW2N3-06111	Machine screw	○	○	
43	3				F6-SW2N3-05111	Machine screw	○	○	
44	1				CA02790-Y149	Tilt bar	○	○	

◎ : Recommended Spare Parts

3.3 DL9300/9400 Printer Mechanism Assembly



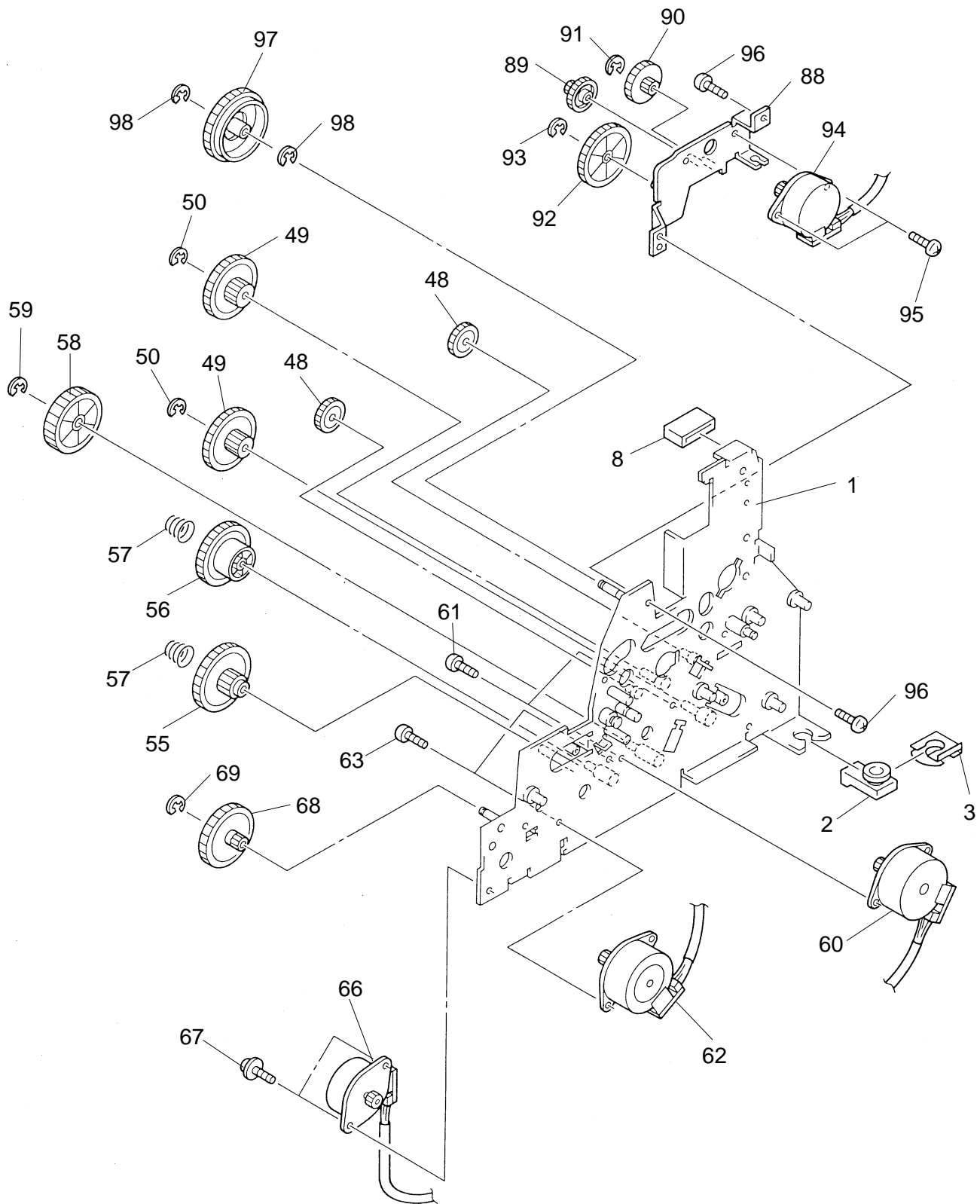
- ① includes parts shown on page 3-11
- ② includes parts shown on page 3-13

3.3 DL9300/9400 Printer Mechanism Assembly

No.	Composition & Quantity				Specification	Parts name (Description)	DL9300	DL9400	Remarks
1-105	1				CA02892-E110	Printer mecha. assembly	◎		
	1				CA02790-E110	Printer mecha. assembly		◎	
	1	1			CA02892-F100	Frame sub assembly	○		
	1	1			CA02790-F100	Frame sub assembly		○	
The left illustration shows only side frame L (①) and R (②), which are part of the frame sub assembly. See Section 3.3.1 for other parts.									
2		2			CA02790-Y134	Rubber damper	○	○	
3		2			CA02790-Y135	Earth spring	○	○	
4		1			CA02790-Y125	FG Spring F	○	○	
5		1			CT-STB-4X6-M-NI-NITTO	Tapping screw	○	○	
6		1			CA02790-Y126	FG spring IF	○	○	
7		1			CA98001-6305	Tapping screw	○	○	
8		2			CA02790-Y138	Rubber damper U	○	○	
9		1			CA02892-G501	Platen roll assembly	◎		
		1			CA02790-G501	Platen roll assembly		◎	
10		2			CA02129-Z359	Bushing	○	○	
11		1			CA02790-Y502	Platen gear	○	○	
12		1			F6-ER8-SUS	E ring	○	○	
13		1			F6-ER6-SUS	E ring	○	○	
14-16		1			CA02892-F503	DV roller unit	○		
		1			CA02790-F503	DV roller unit		○	
14			1		CA02892-G503	DV roller assembly 2	○		
			1		CA02790-G503	DV roller assembly 2		○	
15			1		CA02790-Y546	CSF idle gear	○	○	
16			1		F6-ER6-SUS	E ring	○	○	
17		2			F6-ER6-SUS	E ring	○	○	
18-19		1			CA02892-G165	Front guide unit	○		
		1			CA02790-G165	Front guide unit		○	
18			1		CA02892-Y165	Front guide	○		
			1		CA02790-Y165	Front guide		○	
19			1		CA02892-Z205	Soundproof	○		
			1		CA02790-Z205	Soundproof		○	
20-22		1			CA02892-F503	DV roller unit	○		
		1			CA02790-F503	DV roller unit		○	
20			1		CA02892-G503	DV roller assembly 2	○		
			1		CA02790-G503	DV roller assembly 2		○	
21			1		CA02790-Y546	CSF idle gear	○	○	
22			1		F6-ER6-SUS	E ring	○	○	
23		2			F6-ER6-SUS	E ring	○	○	
24		1			CA02790-Y166	Detent spring	○	○	
25		2			CA02790-Z166	Spacer	○	○	
26		1			CA02892-G520	Lower guide assembly	○		
		1			CA02790-G520	Lower guide assembly		○	
27		1			CA02790-Y522	Sensor plate	○	○	
28-35		1			CA02892-F530	Upper guide R unit	○		
		1			CA02790-F530	Upper guide R unit		○	
28			1		CA02892-Y530	Upper guide R	○		
			1		CA02790-Y530	Upper guide R		○	
29			1		CA02892-Y537	Brush 2	○		
			1		CA02790-Y537	Brush 2		○	

◎ : Recommended Spare Parts

3.3 DL9300/9400 Printer Mechanism Assembly

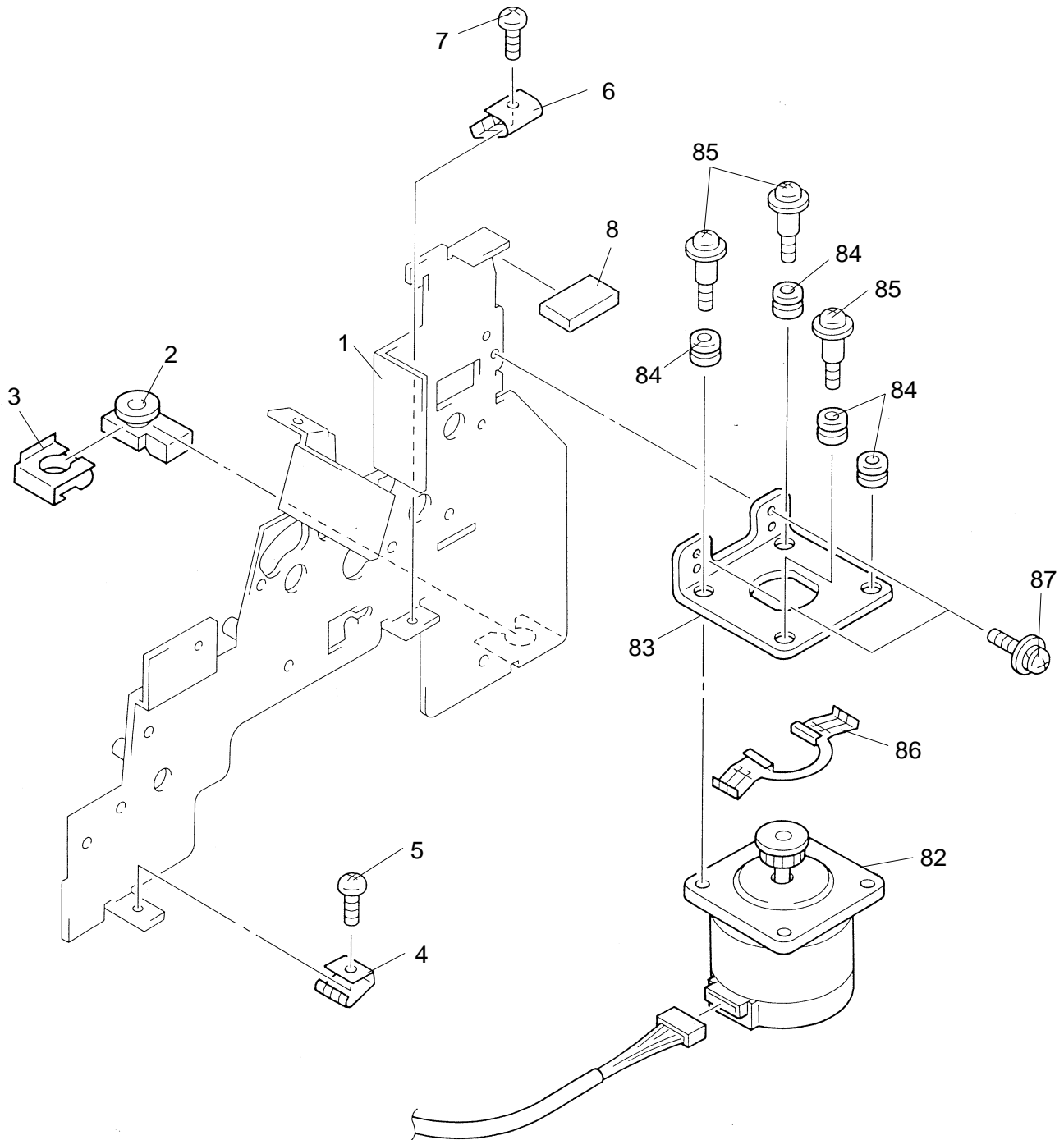


3.3 DL9300/9400 Printer Mechanism Assembly

No.	Composition & Quantity			Specification	Parts name (Description)	DL9300	DL9400	Remarks
30-31			1	CA02892-G533	Upper shaft assembly 2	○		
			1	CA02790-G533	Upper shaft assembly 2		○	
30			1	CA02892-G531	Upper shaft assembly	○		
			1	CA02790-G531	Upper shaft assembly		○	
31			1	CA02892-Y539	Brush 4	○		
			1	CA02790-Y539	Brush 4		○	
32			1	CA02790-Y533	Spring L	○	○	
33			1	CA02790-Z533	Spring R	○	○	
34			2	CA02790-Z530	Bearing	○	○	
35			2	F6-ER6-SUS	E ring	○	○	
36	2			CA98001-6305	Tapping screw	○	○	
37	2			CA02892-G505	Nip roller assembly	○		
	2			CA02790-G505	Nip roller assembly		○	
38	4			F6-ER6-SUS	E ring	○	○	
39	2			CA02790-Y514	Nip spring L	○	○	
40	2			CA02790-Y515	Nip spring R	○	○	
41	2			CA02790-Y513	Spring guide	○	○	
42	2			CA02790-Y167	Spring	○	○	
43	4			CA02790-Y512	Bearing	○	○	
44	2			CA02790-Y513	Spring guide	○	○	
45	2			CA02790-Y550	OC cam	○	○	
46	2			CA02790-Y510	DV roller gear	○	○	
47	2			CA02790-Y511	Nip roller gear	○	○	
48	2			CA02790-Y541	Idle gear	○	○	
49	2			CA02790-Y540	2 stepped gear	○	○	
50	2			F6-ER4-SUS	E ring	○	○	
51	1			CA02790-Y551	OC lever L	○	○	
52	1			CA02790-Y552	OC lever R	○	○	
53	2			F6-ER4-SUS	E ring	○	○	
54	1			CA02892-Y553	OC shaft	○		
	1			CA02790-Y553	OC shaft		○	
55	1			CA02790-Y543	Shift gear F	○	○	
56	1			CA02790-Y544	Shift gear R	○	○	
57	2			CA02790-Y555	Shift spring	○	○	
58	1			CA02790-Y549	Idle gear R	○	○	
59	1			F6-ER4-SUS	E ring	○	○	
60	1			CA02892-F565	LF motor unit	◎		
	1			CA02790-F565	LF motor unit		◎	
61	2			CA98001-6305	Tapping screw	○	○	
62	1			CA02892-F566	Tractor motor unit	◎		
	1			CA02790-F566	Tractor motor unit		◎	
63	2			CA98001-6305	Tapping screw	○	○	
64-65	1			CA02790-F554	RT SW unit	○	○	
64		1		CA02790-Y554	SW holder	○	○	
65		1		CA02790-G554	SW sub assembly	◎	◎	
66	1			CA02892-G567	HCPP motor	◎		
	1			CA02790-G567	HCPP motor		◎	
67	2			F6-SW2N3-06111	Screw	○	○	
68	1			CA02790-Y545	HCPP gear	○	○	
69	1			F6-ER3-SUS	E ring	○	○	
70	1			CA02892-F300	Carrier unit	◎		
	1			CA02790-F300	Carrier unit		◎	
71	1			D860-1124-Y808	Spring	○	○	
72	1			CA02892-Y330	Stay shaft	○		
	1			CA02790-Y330	Stay shaft		○	
73	1			K860-2005-X266	Stay bearing	○	○	

◎ : Recommended Spare Parts

3.3 DL9300/9400 Printer Mechanism Assembly

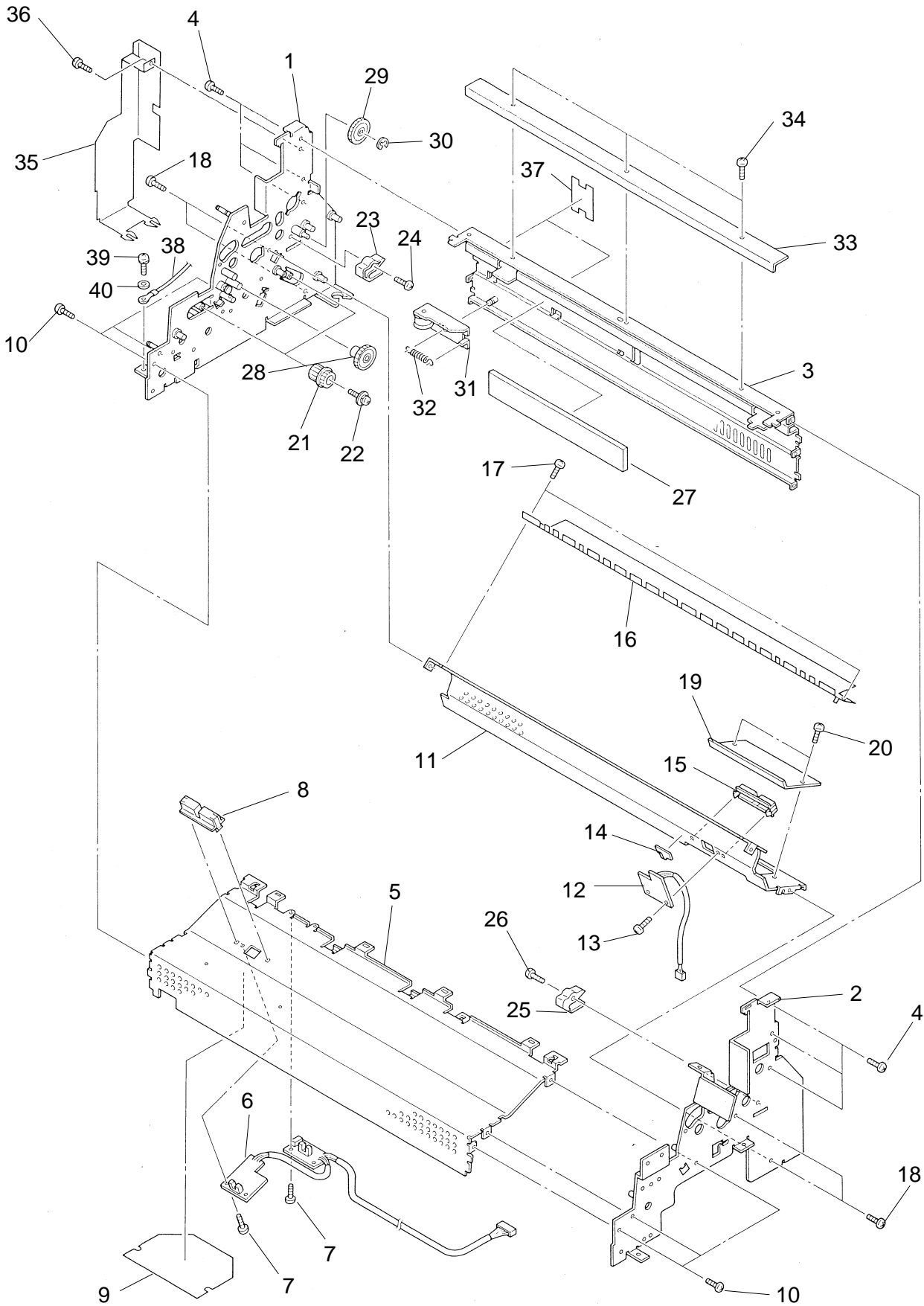


3.3 DL9300/9400 Printer Mechanism Assembly

No.	Composition & Quantity				Specification	Parts name (Description)	DL9300	DL9400	Remarks
74	1				CA02790-Y331	Stay bearing	○	○	
75	1				F6-ER8-SUS	E ring	○	○	
76	1				CA02790-Y332	SS gear	○	○	
77	1				F6-SW2N4-08111	Screw	○	○	
78-80	1				CA02892-G535	Upper guide F assembly	○		
	1				CA02790-G535	Upper guide F assembly		○	
78		1			CA02892-Y535	Upper guide F	○		
		1			CA02790-Y535	Upper guide F		○	
79		1			CA02892-Y178	Soundproof	○		
		1			CA02790-Y178	Soundproof		○	
80		1			CA02892-Y536	Brush 3	○		
		1			CA02790-Y536	Brush 3		○	
81	3				F6-SW2N3-06111	Screw	○	○	
82-85	1				CA02790-F340	SP motor unit	○	○	
82		1			CA02790-G340	SP motor sub assembly	◎	◎	
83		1			CA02790-Y340	Motor bracket	○	○	
84		4			D860-1156-X232	Rubber bush	○	○	
85		3			D860-1156-X233	Screw	○	○	
86		1			CA02790-Y342	Motor FG spring	○	○	
87	2				CA98001-6305	Tapping screw	○	○	
88-94	1				CA02892-F390	APTC unit	○		
	1				CA02790-F390	APTC unit		○	
88		1			CA02790-G390	APTC bracket	○	○	
89		1			CA02393-Y505	Gear A	○	○	
90		1			CA02741-Y602	Gear B	○	○	
91		1			F6-ER2-SUS	E ring	○	○	
92		1			CA02790-Y394	Gear C	○	○	
93		1			F6-ER4-SUS	E ring	○	○	
94		1			CA02892-F396	APTC motor assembly	◎		
		1			CA02790-F396	APTC motor assembly		◎	
95		2			F6-SW2N3-06111	Screw	○	○	
96	2				CA98001-6305	Tapping screw	○	○	
97	1				CA02790-Y393	Gear indicator	○	○	
98	2				F6-ER4-SUS	E ring	○	○	
99	3				CA02790-Y184	Label A	○	○	
100	3				CA02790-Y185	Label B	○	○	
101	2				CA02790-Y186	Label C	○	○	
102	1				CA02790-Y534	Plate	○	○	
103	1				CA98001-6305	Tapping screw	○	○	
104	2				F6-WB3-111	Washer	○	○	
105	2				F6-ER6-SUS	E ring	○	○	

◎ : Recommended Spare Parts

3.3.1 DL9300/9400 Printer Mechanism Assembly (Frame Sub Assembly)

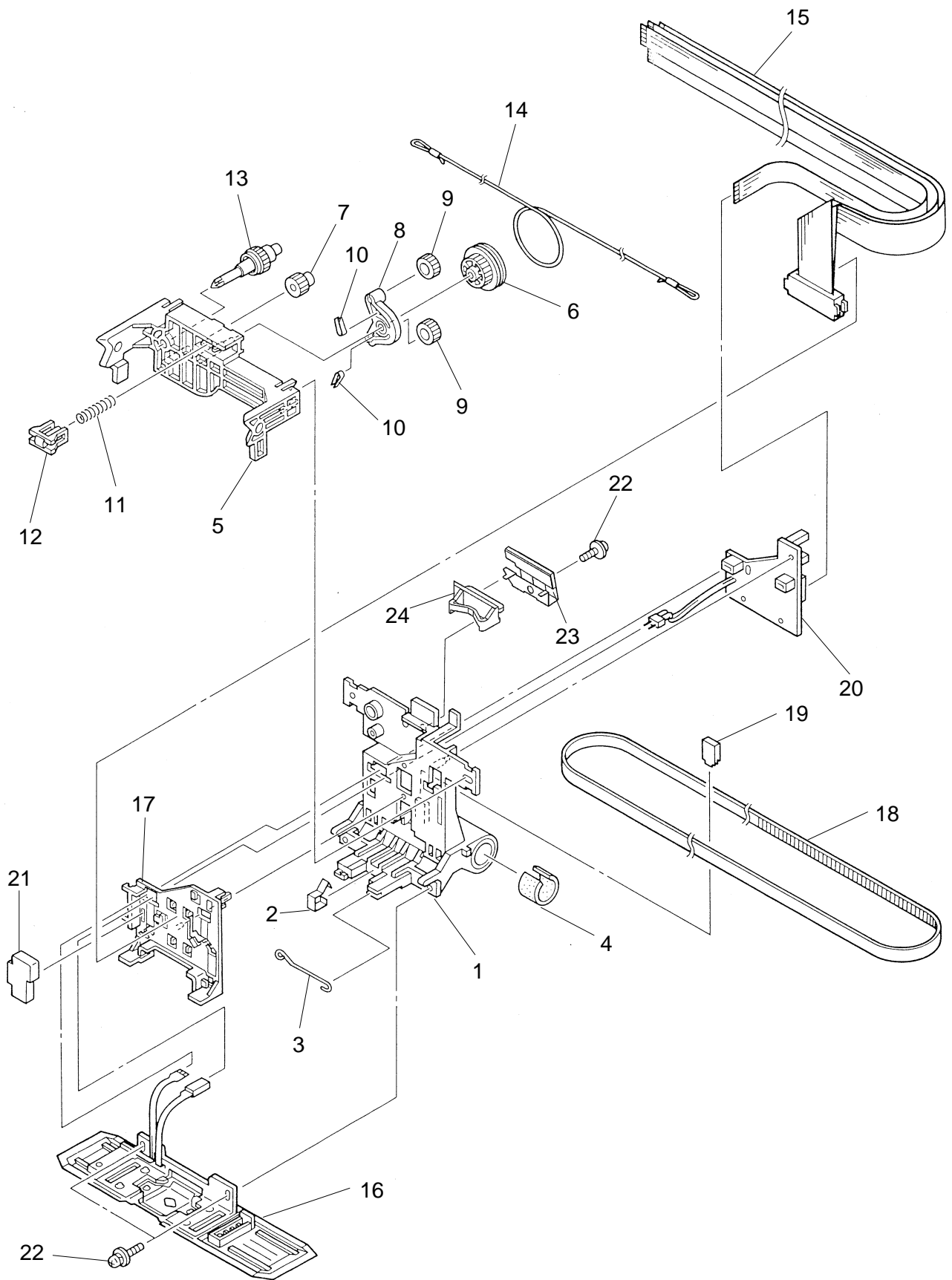


3.3.1 DL9300/9400 Printer Mechanism Assembly (Frame Sub Assembly)

No.	Composition & Quantity				Specification	Parts name (Description)	DL9300	DL9400	Remarks
1-40	1				CA02892-F100	Frame assembly	○		
	1				CA02790-F100	Frame assembly		○	
1		1			CA02790-G100	Side frame L	○	○	
2		1			CA02790-G120	Side frame R	○	○	
3		1			CA02892-G130	Upper stay assembly	○		
		1			CA02790-G130	Upper stay assembly		○	
4		6			CA98001-6305	Tapping screw	○	○	
5-9		1			CA02892-G131	Front stay assembly	○		
		1			CA02790-G131	Front stay assembly		○	
5			1		CA02892-Y131	Front stay	○		
			1		CA02790-Y131	Front stay		○	
6			1		CA02790-G524	FPSS PCA	◎	◎	
7			2		CA98001-6305	Tapping screw	○	○	
8			1		CA02790-Y612	Sensor cover TR	○	○	
9			1		CA02790-Y128	Sheet	○		
10		6			CA98001-6305	Tapping screw	○	○	
11-17		1			CA02892-G132	Rear stay assembly	○		
		1			CA02790-G132	Rear stay assembly		○	
11			1		CA02892-Y132	Rear stay	○		
			1		CA02790-Y132	Rear stay		○	
12			1		CA02790-G610	RTRPE unit	◎	◎	
13			1		CA98001-6305	Tapping screw	○	○	
14			1		CA98001-0436	Code keep	○	○	
15			1		CA02790-Y612	Sensor cover TR	○	○	
16			1		CA02892-Y525	Lower guide frame	○		
			1		CA02790-Y525	Lower guide frame		○	
17			2		CA98001-6305	Tapping screw	○	○	
18		4			CA98001-6305	Tapping screw	○	○	
19		1			CA02790-Y133	Rom cover	○	○	
20		2			CA98001-6305	Tapping screw	○	○	
21		2			CA02790-Y542	TR idle gear	○	○	
22		2			F6-SW2N3-06111	Screw	○	○	
23		1			CA02790-Y182	Stacker guide L	○	○	
24		1			CA98001-6305	Tapping screw	○	○	
25		1			CA02790-Y183	Stacker guide L	○	○	
26		1			CA98001-6305	Tapping screw	○	○	
27		1			CA02892-Z204	Soundproof	○		
		1			CA02790-Z204	Soundproof		○	
28		1			CA02790-Y547	CSF gear F	○	○	
29		1			CA02790-Y548	CSF gear R	○	○	
30		1			F6-ER3-SUS	E ring	○	○	
31		1			CA02790-F360	Tension unit	○	○	
32		1			D860-1156-X205	Spring	○	○	
33		1			CA02790-Y333	Upper ungle		○	
					CA02892-Y333	Upper ungle		○	
34		3			F6-SW2N3-08111	Screw	○	○	
35		1			CA02790-Y324	Cable holder A	○	○	
36		1			CA98001-6305	Screw	○	○	
37		1			CA02790-Y328	Cable clamp B	○		
		2			CA02790-Y328	Cable clamp B		○	
38		1			D660-9203-T591	Cable	○	○	
					#L100R0				
39		1			CT-STB-4X6-M	Tapping screw	○	○	
					NI-NITTO	Washer			
40		1			F6-WB4-121	Washer	○	○	

◎ : Recommended Spare Parts

3.3.2 DL9300/9400 Printer Mechanism Assembly (Carrier Unit)

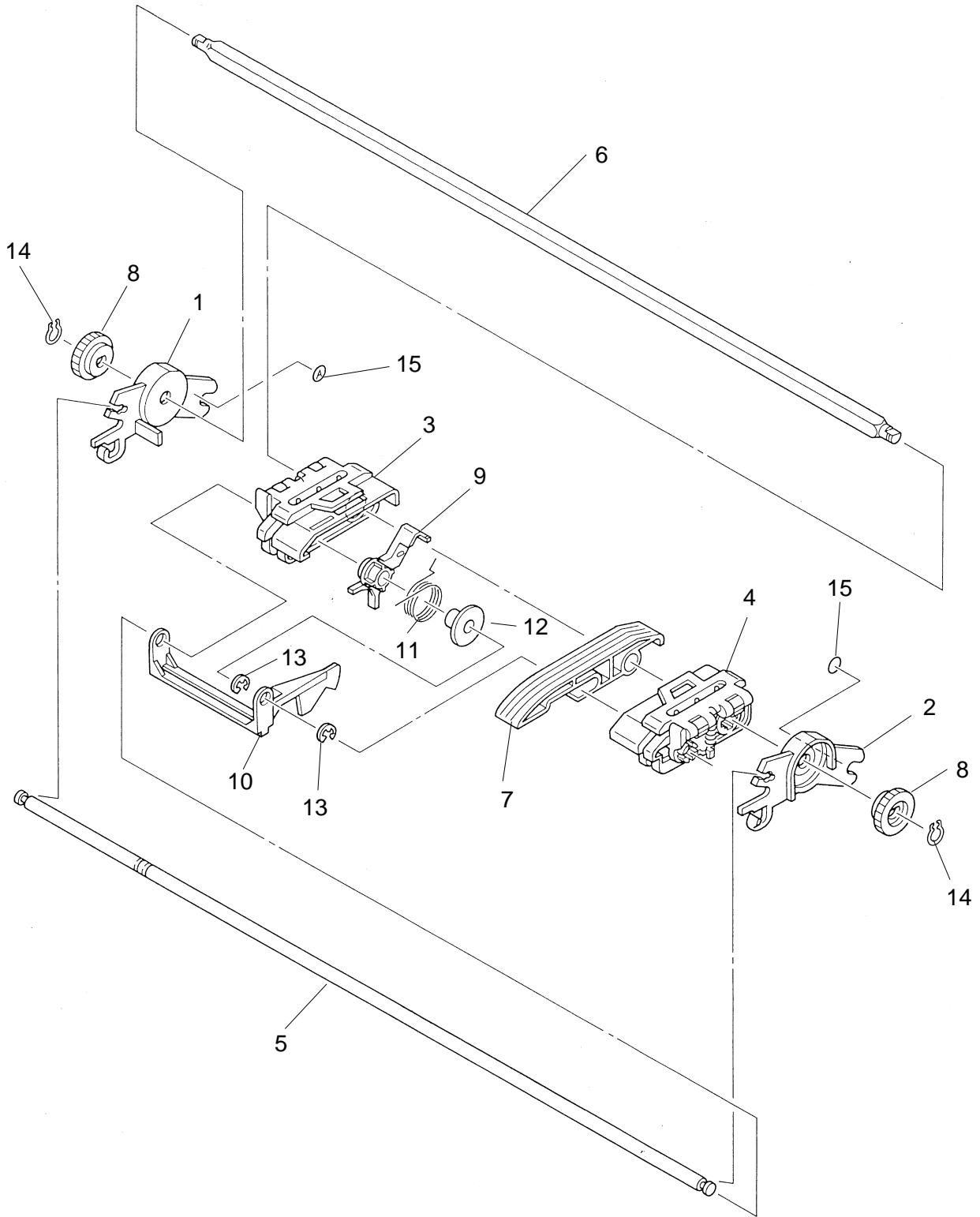


3.3.2 DL9300/9400 Printer Mechanism Assembly (Carrier Unit)

No.	Composition & Quantity				Specification	Parts name (Description)	DL9300	DL9400	Remarks
1-24	1				CA02892-F300	Carrier unit	◎		
	1				CA02790-F300	Carrier unit		◎	
1		1			CA02790-G300	Carrier frame	○	◎	
2		1			D860-1164-X317	Leaf spring	○	○	
3		1			CA02790-Y303	Spring	○	○	
4		1			CA02790-Y306	Felt	○	○	
5-12		1			CA02790-F350	RF assembly	○	○	
5			1		CA02790-Y350	Ribbon blacket	○	○	
6			1		D860-1156-X186	Ribbon pulley	○	○	
7			1		D860-1156-X182	Gear	○	○	
8			1		D860-1156-X183	RF lever	○	○	
9			2		D860-1144-X209	Gear	○	○	
10			2		D860-1144-X208	Flat spring	○	○	
11			1		CA02312-Y378	Ribbon spring	○	○	
12			1		CA02312-Y396	Ribbon spring holder	○	○	
13		1			CA02790-Y351	RF gear	○	○	
14		1			CA02892-G352	Ribbon rope assembly	○		
		1			CA02790-G352	Ribbon rope assembly		○	
15		1			CA02892-F320	Carrier cable	○		
		1			CA02790-F320	Carrier cable		○	
16		1			CA02790-G371	Card guide assembly	◎	◎	
17		1			CA02790-Y310	Carrier holder	◎	○	
18		1			CA81003-4532	Timing belt	◎		
		1			CA81003-4531	Timing belt		◎	
19		1			CA02312-Y386	Belt clamp	○	○	
20		1			CA02790-G380	Carrier PCB assembly	○	○	
21		1			CA02790-Y311	Cover	○	○	
22		3			F6-SW2N3-06111	Screw	○	○	
23		1			CA02790-G314	Slider assembly	○	○	
24		1			CA02790-Y318	Slider B	○	○	

◎ : Recommended Spare Parts

3.3.3 DL9300/9400 Printer Mechanism Assembly (Tractor Unit)

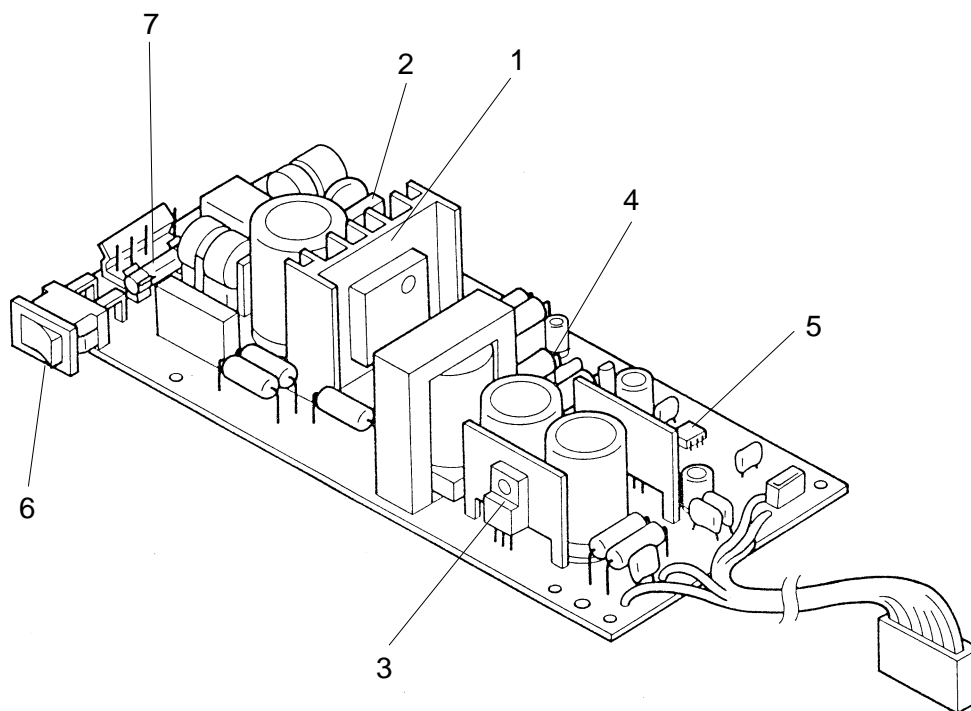


3.3.3 DL9300/9400 Printer Mechanism Assembly (Tractor Unit)

No.	Composition & Quantity			Specification	Parts name (Description)	DL9300	DL9400	Remarks
1-15	1			CA02892-F600	Tractor unit	◎		
	1			CA02790-F600	Tractor unit		◎	
1		1		CA02790-Y601	Tractor frame	○	○	
2		1		CA02790-Y602	Tractor frame	○	○	
3		1		CA81003-453501	Tractor L	○	○	
4		1		CA81003-453502	Tractor R	○	○	
5		1		CA02892-Y606	Sub shaf	○		
		1		CA02790-Y606	Sub shaf		○	
6		1		CA02892-Y605	Square shaft	○		
		1		CA02790-Y605	Square shaft		○	
7		1		K860-2005-X566	Center guide	○	○	
8		2		K860-2005-X565	Tractor gear	○	○	
9		1		CA02790-Y607	PE lever	○	○	
10		1		CA02790-Y608	Actuator	○	○	
11		1		CA02790-Y609	Lever spring	○	○	
12		1		CA02790-Y604	Sleeve	○	○	
13		2		F6-BR4-SUS	E ring	○	○	
14		2		CT-G-6-SUS	C ring	○	○	
15		2		CA02790-Y185	Label B	○	○	

◎ : Recommended Spare Parts

3.4 DL9300/9400 Power Supply Unit

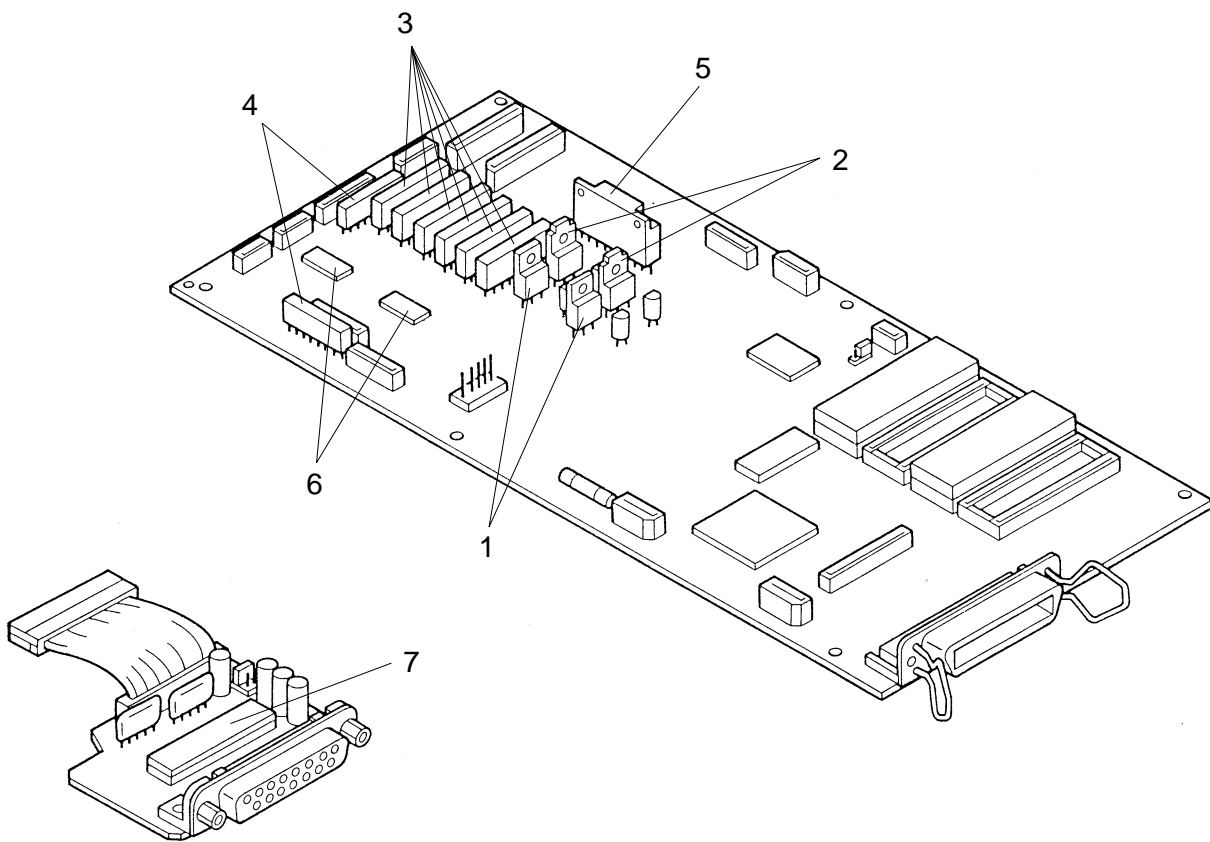


3.4 DL9300/9400 Power Supply Unit

No.	Composition & Quantity				Specification	Parts name (Description)	DL9300	DL9400	Remarks
	1				CA20167-B00X	Power supply unit	◎		PW31AA PW31AK(for Asia) PW31BA PW31BK(for Asia)
	1				CA20167-B40X	Power supply unit	◎		
	1				CA20167-B50X	Power supply unit		◎	
	1				CA20167-B90X	Power supply unit		◎	
1		1			CA98001-2611	Hybrid IC	○		
		1			CA98001-2973	Hybrid IC		○	
2		1			C50L-2130-0080	Rectifier	○	○	
3		1			CA98001-2580	Diode	○	○	
4		1			CA98001-2587	Diode	○	○	
5		1			C50L-6030-0401	Photo thyristor	○		
		2			CA98001-0962	Photo thyristor		○	
6		1			CA98001-2586	Switch	○	○	
7		1			CA02790-2878	Fuse	◎	◎	100-120V or 100V 220-240V or 200V
		1			CA02790-3430	Fuse	◎	◎	

◎ : Recommended Spare Parts


3.5 DL9300/9400 Control Board



3.5 DL9300/9400 Control Board

No	Composition & Quantity			Specification	Parts name (Description)			Remarks
						DL9300	DL9400	
	1			CA20234-B29X	Main board	○	○	PAC95BA RS-232C I/F
	1			CA20160-B80X	RS-232C board	◎	◎	
1	1			CT-2SC4064-SANKEN	Transistor	○	○	
2	1			CT-2SC4596E-ROHM	Transistor	○	○	
3	1			CT-SMA4032-LF1002 -SANKEN	Transistor array	○	○	
4	1			CT-4AC16-ROHM	Transistor array	○	○	
5	1			C76L-1170-0136	Hybrid IC	○	○	
6	1			CT-UDN2916LB- SANKEN	Hybrid IC	○	○	
7	1			C76L-0700-0534	IC1	○	○	

◎ : Recommended Spare Parts


FUJITSU